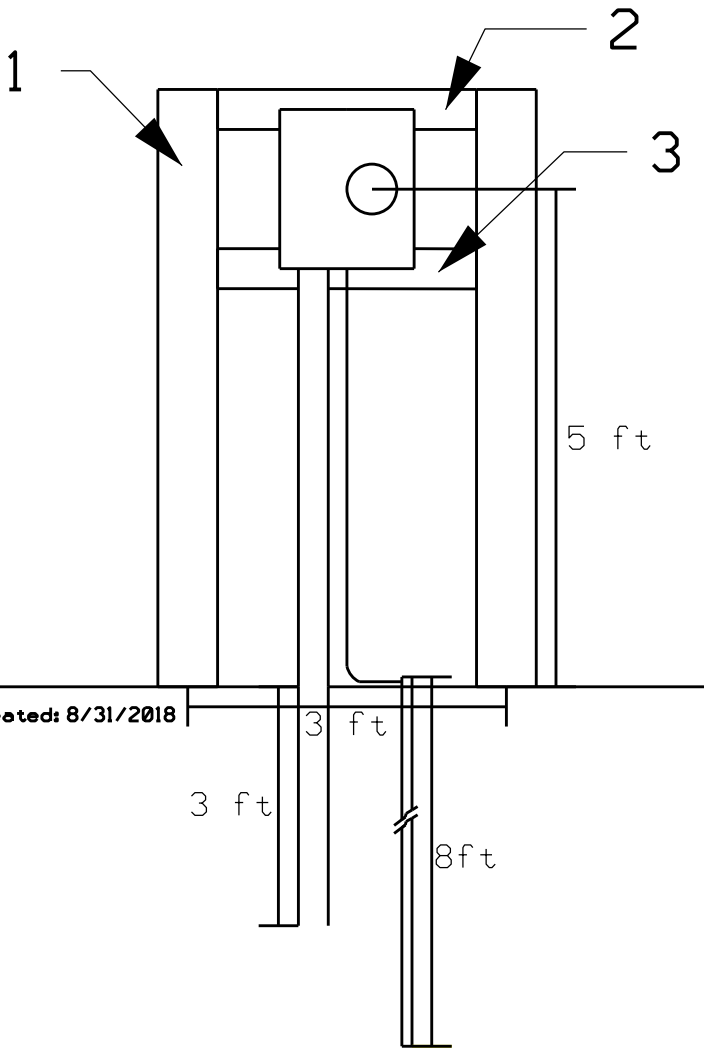


# Hart EMC Underground Pedestal



1. Two 4x4's (or 4x6's) need to be spaced at least 3ft apart to allow digging for service wire. They must be placed in the ground in such a manner that the meter base will be approximately 5ft above the ground.

2. Two 2x6's or 2x4's will be used to attach the meter base and form an H-structure. The meter base will need to be placed in the center of the H-structure to allow for the service wire to be dug to the meter base without compromising the posts in the ground.

3. A main disconnect must be installed on the H-structure along with the meter base. The meterbase can be a combo unit which has main disconnect attached directly to the meterbase.

Note: This drawing is for pedestal construction only, please reference Hart EMC's Underground Specifications drawing for wire, ground, and conduit requirements.