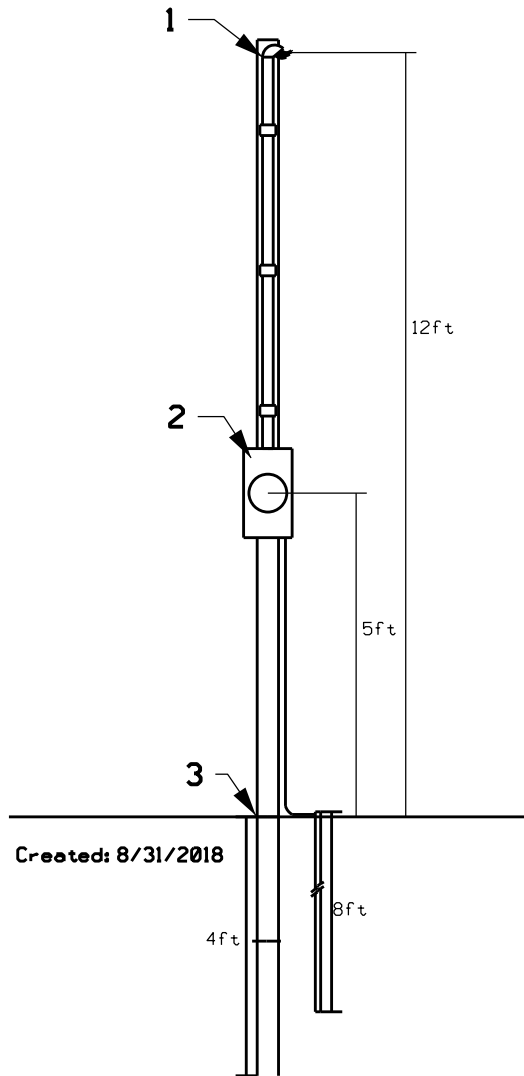


# Hart EMC Overhead Temp Pole Spec



Note: This pole is for construction use only and can only be in place for no more than twelve months.

1. A temporary pole must be 16ft tall and should be a 4x4 or at least 4 inches in diameter at the top. The temporary pole shall be set 4ft in the ground. This pole should also be braced with respect to the direction from which our triplex will come from.

2. The meter base should be installed so that the meter will be approximately 4 to 5 ft above the ground.

3. This pole should also be braced with respect to the direction from which our triplex will come from.

Note: This drawing is for temporary pole construction only, please reference Hart EMC's Trailer Pole Specifications drawing for wire, ground, and conduit requirements.